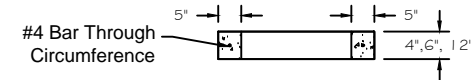
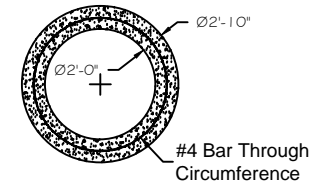


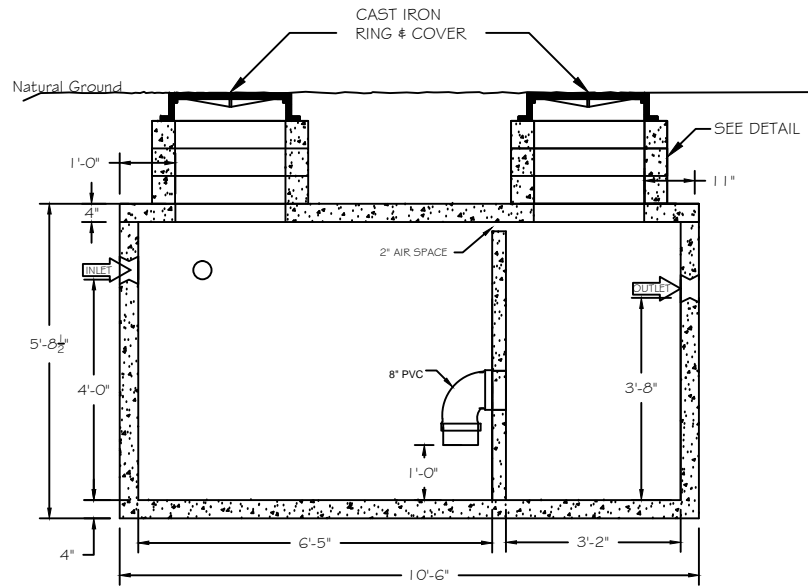
PLAN VIEW



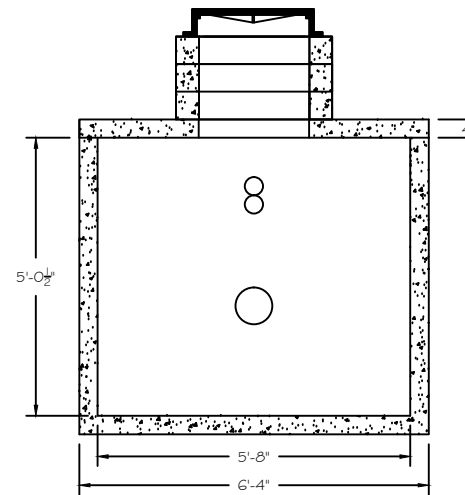
GRADE RING - ELEVATION VIEW



GRADE RING - PLAN VIEW



ELEVATION VIEW



END VIEW

**SPECIFICATION:**

CONCRETE: 4,000 psi concrete (28 days)

LOAD DESIGN: Non-Traffic (0-2' Cover)

TANK SEALS: MEET ASTM C923

SEALANT: Sealant use for joints meets or exceed C990 Specification



APPROX. WT:  
15,200 lbs.

DRAWN BY:  
Allen Lee

Tank Type: 1,500 GALLON GREASE INTERCEPTOR

COPYRIGHT 2020  
LEE'S PRECAST

