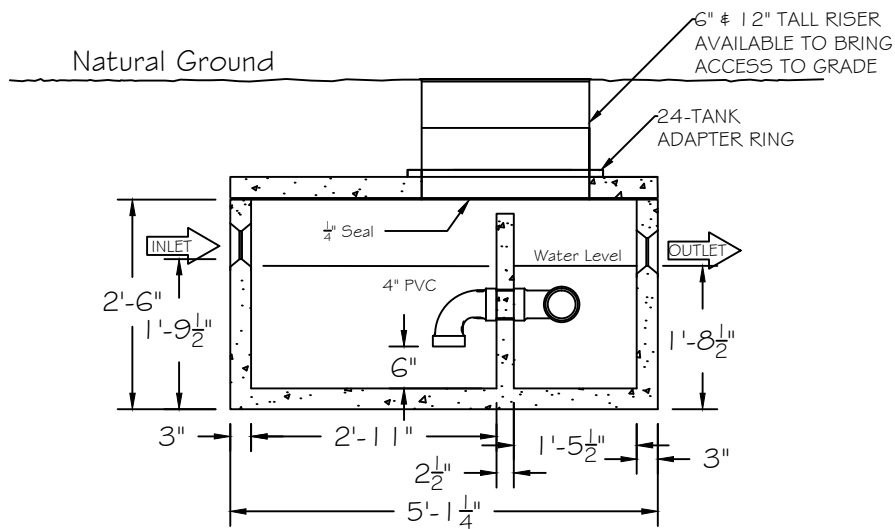
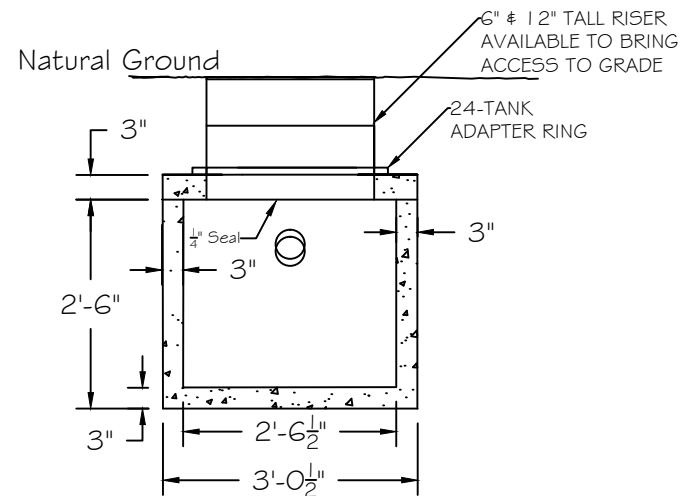


PLAN VIEW



SECTION A



SECTION B

SPECIFICATION:

CONCRETE: MINIMUM 4,000 PSI

REINFORCEMENT: ASTM A-615, GRADE 60 / MICRO FIBERS

LOAD: NON-TRAFFIC

JOINT BUTYL SEALANT: MEETS OR EXCEED C990 SPECIFICATIONS

RISERS TO BRING TO ACCESS TO GRADE SOLD SEPARATELY



APPROX. WT:
2,500 lbs.

DRAWN BY:
A.L.

Tank Type: 3" WALL, 150 GALLON GREASE INTERCEPTOR

DATE:
8/26/19

COPYRIGHT 2019
LEE'S PRECAST

