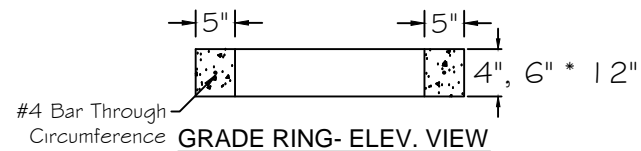
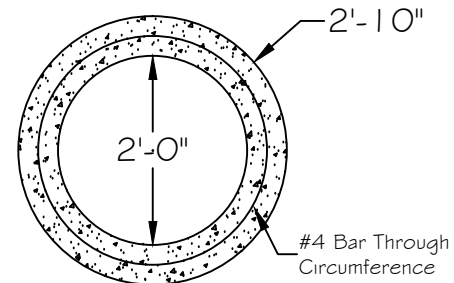


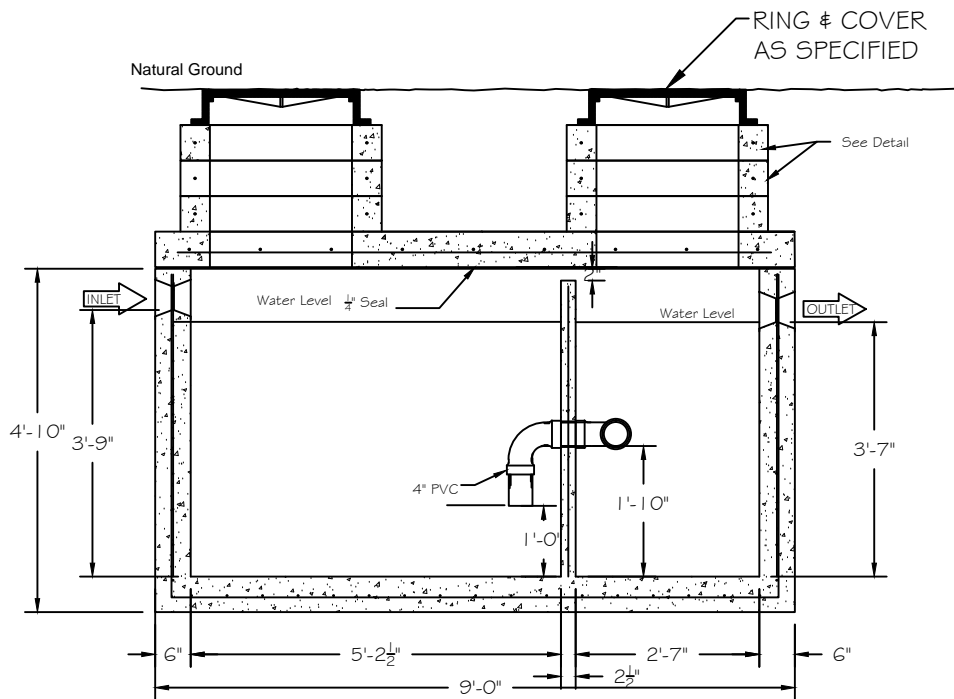
PLAN VIEW



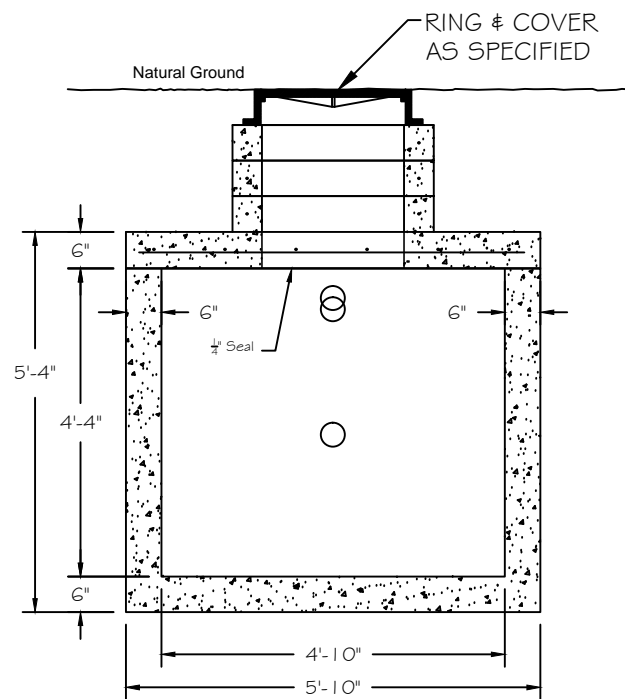
GRADE RING - ELEV. VIEW



GRADE RING - PLAN VIEW



ELEVATION VIEW



END VIEW

SPECIFICATION:

CONCRETE: MINIMUM 4,000 PSI
 REINFORCEMENT: ASTM A-615, GRADE 60
 LOAD: H-20 LOADING
 PIPE CONNECTORS: MEET OR EXCEED ASTM C923
 JOINT BUTYL SEALANT: MEETS OR EXCEED C990 SPECIFICATIONS
 RISERS TO BRING TO ACCESS TO GRADE SOLD SEPARATELY

APPROX. WT: 16,000 lbs.
 DRAWN BY: A.L.

Tank Type: 1,000 GALLON GREASE INTERCEPTOR

DATE: 8/26/19
 COPYRIGHT 2019 LEE'S PRECAST