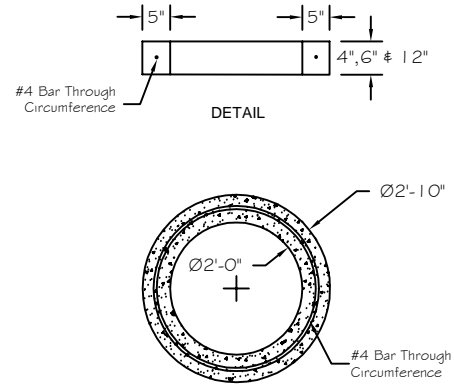
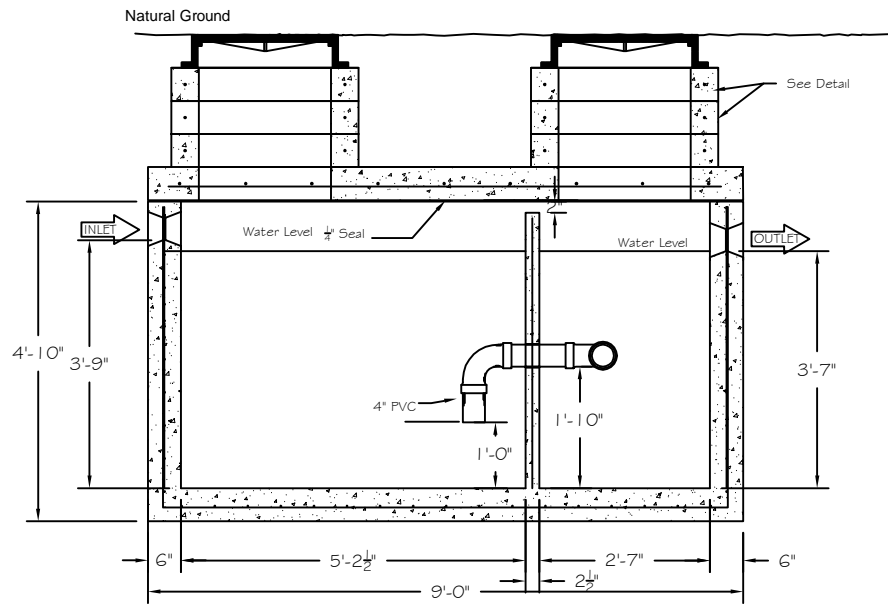


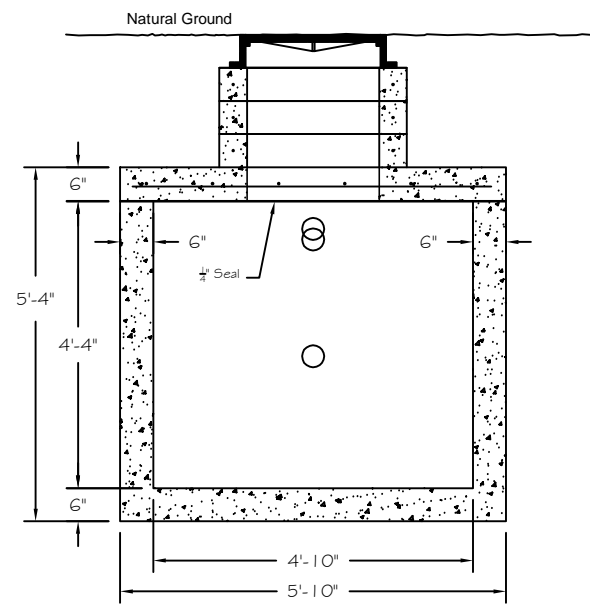
PLAN VIEW



DETAIL



ELEVATION



END VIEW

SPECIFICATION:

CONCRETE: 4,500 psi concrete (28 days)

DESIGN: H-20 LOAD RATING

TANK SEALS: Meets or Exceed ASTM C923

SEALANT: Sealant use for joints meets or exceed C990 Specification



APPROX. WT: 16,000 lbs.

DRAWN BY: Allen Lee

Tank Type: 1,000 GALLON OIL & WATER SEPARATOR

COPYRIGHT 2019 LEE'S PRECAST

