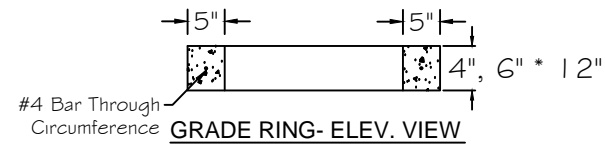
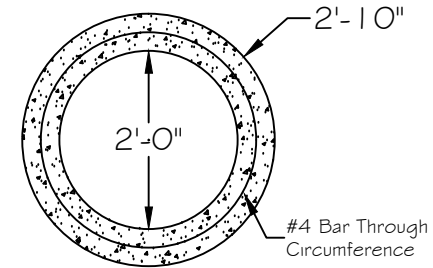


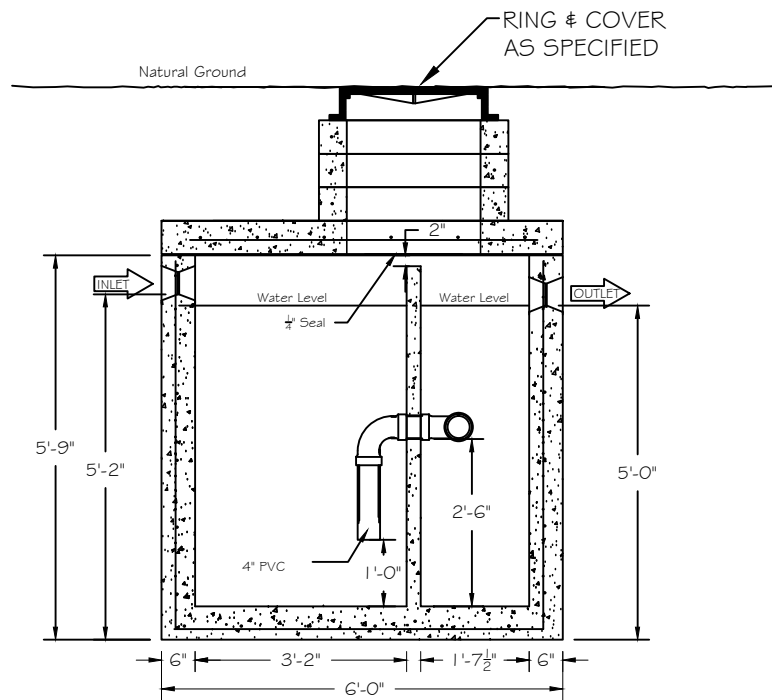
PLAN VIEW



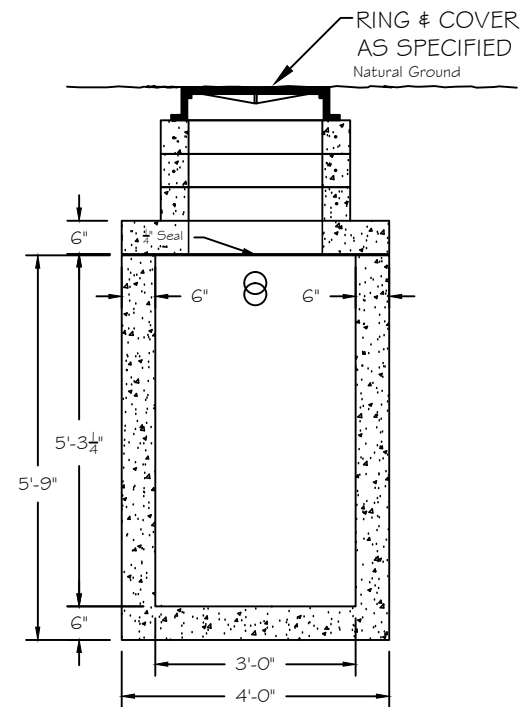
GRADE RING - ELEV. VIEW



GRADE RING - PLAN VIEW



ELEVATION VIEW



END VIEW

SPECIFICATION:

CONCRETE: MINIMUM 4,000 PSI

REINFORCEMENT: ASTM A-615, GRADE 60

LOAD: H-20 LOADING

JOINT BUTYL SEALANT: MEETS OR EXCEED C990 SPECIFICATIONS

RISERS TO BRING TO ACCESS TO GRADE SOLD SEPARATELY



APPROX. WT:
10,400 lbs.

DRAWN BY:
A.L.

Tank Type: 500 GALLON GREASE INTERCEPTOR

DATE:
8/26/19

COPYRIGHT 2019
LEE'S PRECAST

