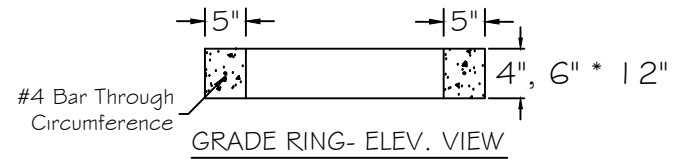
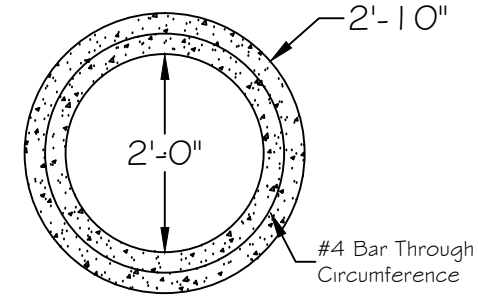


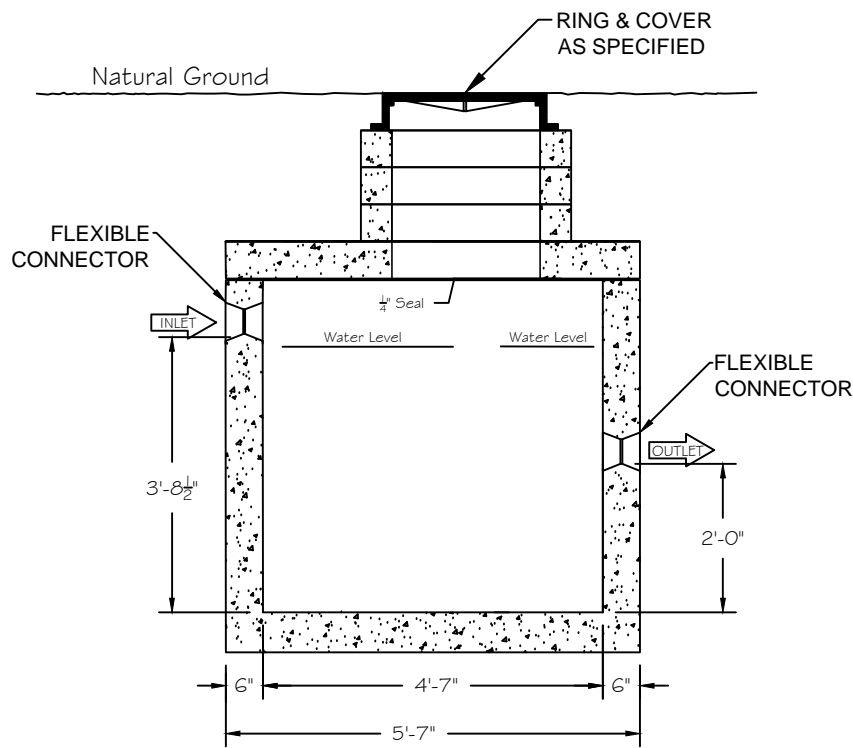
PLAN VIEW



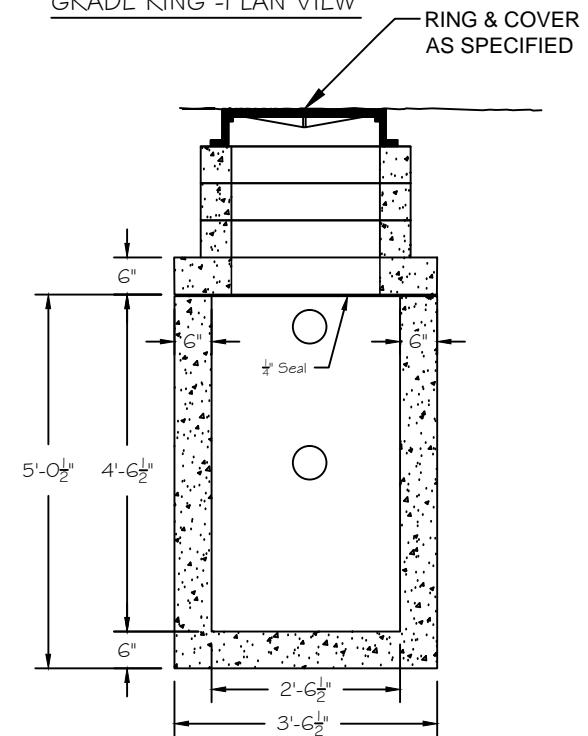
GRADE RING - ELEV. VIEW



GRADE RING - PLAN VIEW



SECTION A



SECTION B

SPECIFICATION:

CONCRETE: MINIMUM 4,000 PSI

REINFORCEMENT: ASTM A-615, GRADE 60

DESIGN LOAD: H-20 TRAFFIC

FLEXIBLE CONNECTORS: MEETS OR EXCEEDS ASTM C-923 SPECIFICATIONS

JOINT BUTYL SEALANT: MEETS OR EXCEEDS ASTM C-990 SPECIFICATIONS



APPROX. WT: 8,400 lbs.

DRAWN BY: A.L.

Tank Type: 300 GALLON OIL INTERCEPTOR (NBW)

DATE: 8/26/19

COPYRIGHT 2019 LEE'S PRECAST

